

TOSHIBA CMOS Digital Integrated Circuit Silicon Monolithic

TC74HC592AP, TC74HC592AF

8 Bit Binary Counter with Input Register

The TC74HC592A is high speed CMOS 8-BIT REGISTER COUNTER fabricated with silicon gate C²MOS technology.

It achieves the high speed operation similar to equivalent LSTTL while maintaining the CMOS low power dissipation.

The internal counter counts at positive edge of Counter Clock (CCK) when Counter Clock Enable ($\overline{\text{CCKEN}}$) is held "L" level. If Counter clear ($\overline{\text{CCLR}}$) is held "L", the internal counter is cleared asynchronously to clock.

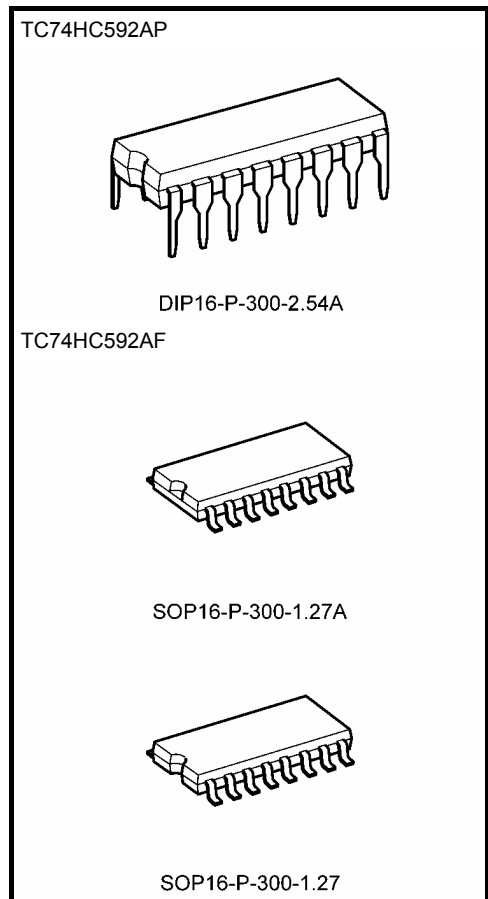
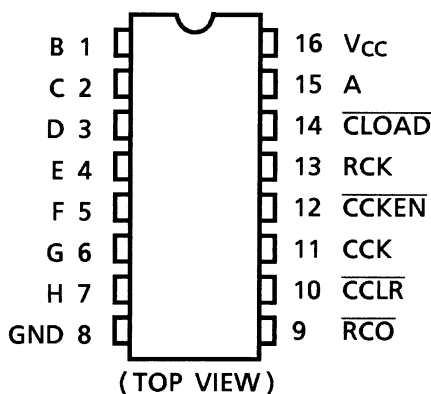
Input A to H are loaded to register at positive edge of Register Clock (RCK), and the register outputs are loaded to Counter when Counter Load ($\overline{\text{CLOAD}}$) is held "L" level.

All inputs are equipped with protection circuits against static discharge or transient excess voltage.

Features

- High speed: $f_{\text{max}} = 35 \text{ MHz}$ (typ.) at $V_{\text{CC}} = 5 \text{ V}$
- Low power dissipation: $I_{\text{CC}} = 4 \mu\text{A}$ (max) at $T_a = 25^\circ\text{C}$
- High noise immunity: $V_{\text{NIH}} = V_{\text{NIL}} = 28\% V_{\text{CC}}$ (min)
- Output drive capability: 10 LSTTL loads for QA to QH
- Symmetrical output impedance: $|I_{\text{OH}}| = I_{\text{OL}} = 4 \text{ mA}$ (min)
- Balanced propagation delays: $t_{\text{pLH}} \approx t_{\text{pHL}}$
- Wide operating voltage range: $V_{\text{CC}} (\text{opr}) = 2 \text{ to } 6 \text{ V}$
- Pin and function compatible with 74LS592

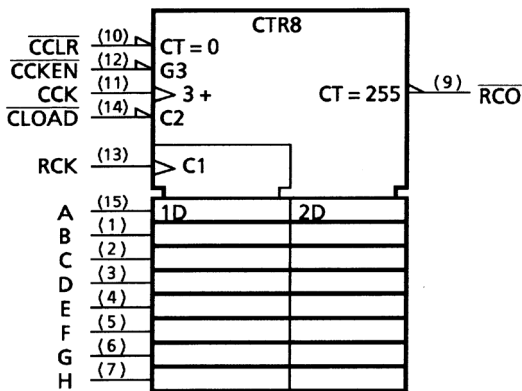
Pin Assignment



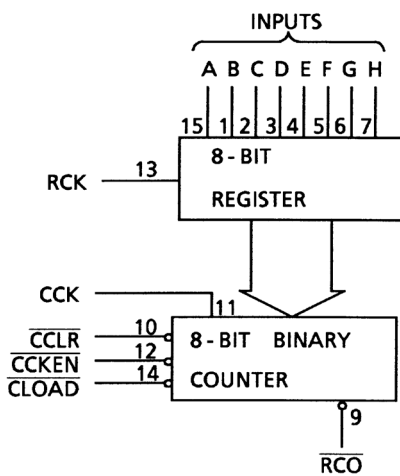
Weight

DIP16-P-300-2.54A	: 1.00 g (typ.)
SOP16-P-300-1.27A	: 0.18 g (typ.)
SOP16-P-300-1.27	: 0.18 g (typ.)

IEC Logic Symbol



Block Diagram



Truth Table

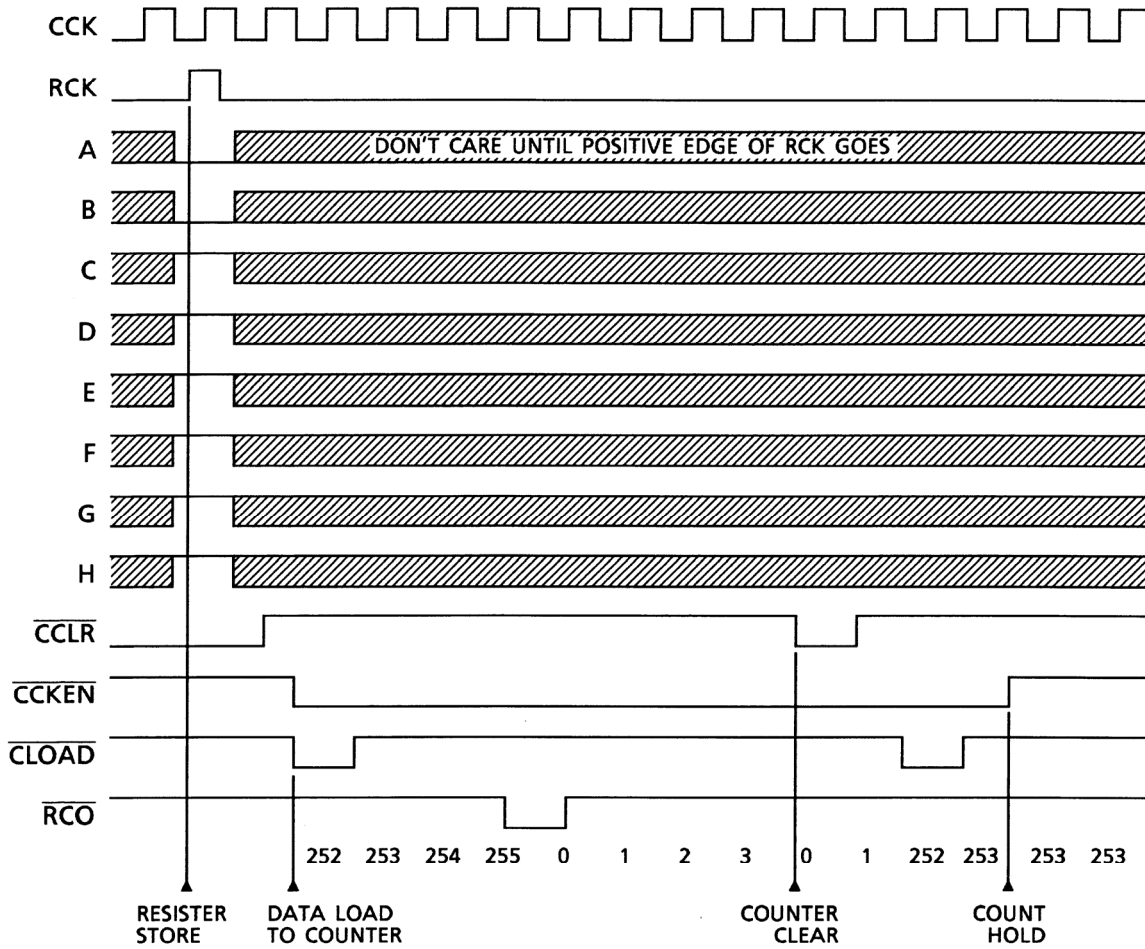
Inputs					Function
RCK	$\overline{\text{CLOAD}}$	$\overline{\text{CCLR}}$	$\overline{\text{CCKEN}}$	CCK	
X	L	H	X	X	Register Data is Loaded into Counter
X	H	L	X	X	Counter Clear
\uparrow	H	H	X	X	The Data of a Thru H Inputs is Stored into Register
\downarrow	H	H	X	X	Register State is not Changed
X	H	H	L	\uparrow	Counter Advances the Count
X	H	H	L	\downarrow	No Count
X	H	H	H	X	No Count

X: Don't care

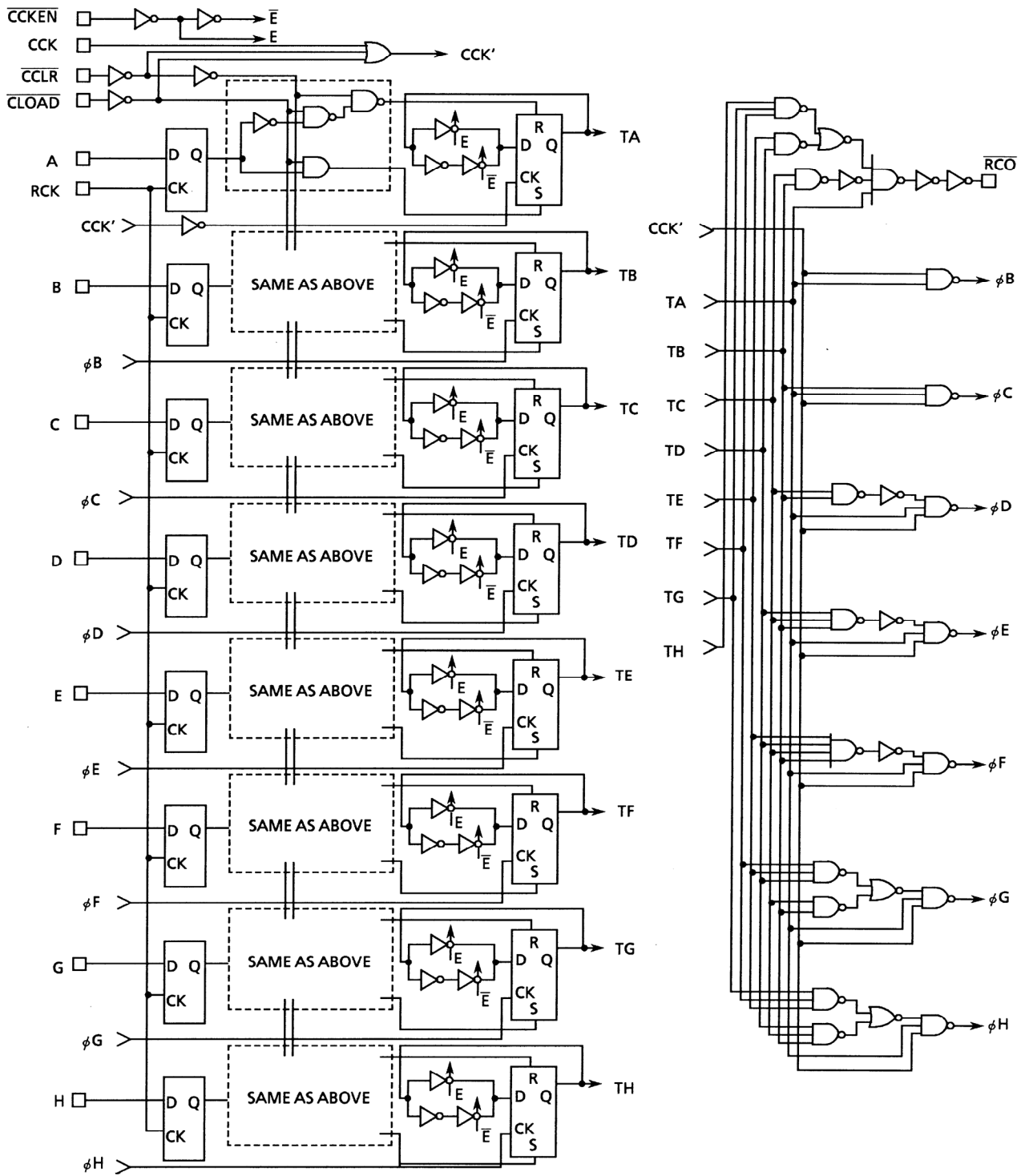
$$\overline{\text{RCO}} = \text{QA}' \cdot \text{QB}' \cdot \text{QC}' \cdot \text{QD}' \cdot \text{QE}' \cdot \text{QF}' \cdot \text{QG}' \cdot \text{QH}'$$

(QA' to QH': internal outputs of the counter)

Timing Chart



System Diagram



Absolute Maximum Ratings (Note 1)

Characteristics	Symbol	Rating	Unit
Supply voltage range	V_{CC}	-0.5 to 7	V
DC input voltage	V_{IN}	-0.5 to $V_{CC} + 0.5$	V
DC output voltage	V_{OUT}	-0.5 to $V_{CC} + 0.5$	V
Input diode current	I_{IK}	± 20	mA
Output diode current	I_{OK}	± 20	mA
DC output current	I_{OUT}	± 25	mA
DC V_{CC} /ground current	I_{CC}	± 50	mA
Power dissipation	P_D	500 (DIP) (Note 2)/180 (SOP)	mW
Storage temperature	T_{stg}	-65 to 150	$^{\circ}C$

Note 1: Exceeding any of the absolute maximum ratings, even briefly, lead to deterioration in IC performance or even destruction.

Note 2: 500 mW in the range of $T_a = -40$ to $65^{\circ}C$. From $T_a = 65$ to $85^{\circ}C$ a derating factor of -10 mW/ $^{\circ}C$ shall be applied until 300 mW.

Recommended Operating Conditions (Note)

Characteristics	Symbol	Rating	Unit
Supply voltage	V_{CC}	2 to 6	V
Input voltage	V_{IN}	0 to V_{CC}	V
Output voltage	V_{OUT}	0 to V_{CC}	V
Operating temperature	T_{opr}	-40 to 85	$^{\circ}C$
Input rise and fall time	t_r, t_f	0 to 1000 ($V_{CC} = 2.0$ V) 0 to 500 ($V_{CC} = 4.5$ V) 0 to 400 ($V_{CC} = 6.0$ V)	ns

Note: The recommended operating conditions are required to ensure the normal operation of the device. Unused inputs must be tied to either VCC or GND.

Electrical Characteristics

DC Characteristics

Characteristics	Symbol	Test Condition		Ta = 25°C			Ta = -40 to 85°C		Unit	
				V _{CC} (V)	Min	Typ.	Max	Min		Max
High-level input voltage	V _{IH}	—		2.0	1.50	—	—	1.50	—	V
				4.5	3.15	—	—	3.15	—	
				6.0	4.20	—	—	4.20	—	
Low-level input voltage	V _{IL}	—		2.0	—	—	0.50	—	0.50	V
				4.5	—	—	1.35	—	1.35	
				6.0	—	—	1.80	—	1.80	
High-level output voltage	V _{OH}	V _{IN} = V _{IH} or V _{IL}	I _{OH} = -20 μA	2.0	1.9	2.0	—	1.9	—	V
				4.5	4.4	4.5	—	4.4	—	
				6.0	5.9	6.0	—	5.9	—	
			I _{OH} = -4 mA	4.5	4.18	4.31	—	4.13	—	
				6.0	5.68	5.80	—	5.63	—	
				I _{OH} = -5.2 mA	4.5	4.18	4.31	—	4.13	
Low-level output voltage	V _{OL}	V _{IN} = V _{IH} or V _{IL}	I _{OL} = 20 μA	2.0	—	0.0	0.1	—	0.1	V
				4.5	—	0.0	0.1	—	0.1	
				6.0	—	0.0	0.1	—	0.1	
			I _{OL} = 4 mA	4.5	—	0.17	0.26	—	0.33	
				6.0	—	0.18	0.26	—	0.33	
				I _{OL} = 5.2 mA	4.5	—	0.17	0.26	—	
6.0	—	0.18	0.26	—	0.33					
Input leakage current	I _{IN}	V _{IN} = V _{CC} or GND		6.0	—	—	±0.1	—	±1.0	μA
Quiescent supply current	I _{CC}	V _{IN} = V _{CC} or GND		6.0	—	—	4.0	—	40.0	μA

Timing Requirements (input: $t_r = t_f = 6 \text{ ns}$)

Characteristics	Symbol	Test Condition	Ta = 25°C		Ta = -40 to 85°C	Unit	
			V _{CC} (V)	Typ.	Limit		Limit
Minimum pulse width (CCK, RCK)	t_W (H) t_W (L)	—	2.0	—	75	95	ns
			4.5	—	15	19	
			6.0	—	13	16	
Minimum pulse width ($\overline{\text{CCLR}}$)	t_W (L)	—	2.0	—	100	125	ns
			4.5	—	20	25	
			6.0	—	16	21	
Minimum pulse width ($\overline{\text{CLOAD}}$)	t_W (L)	—	2.0	—	175	220	ns
			4.5	—	35	44	
			6.0	—	30	37	
Minimum set-up time ($\overline{\text{CCKEN}}$ -CCK)	t_s	—	2.0	—	75	95	ns
			4.5	—	15	19	
			6.0	—	13	16	
Minimum set-up time (RCK- $\overline{\text{CLOAD}}$)	t_s	—	2.0	—	150	190	ns
			4.5	—	30	38	
			6.0	—	26	32	
Minimum set-up time (A to H-RCK)	t_s	—	2.0	—	100	125	ns
			4.5	—	20	25	
			6.0	—	17	21	
Minimum hold time	t_h	—	2.0	—	5	5	ns
			4.5	—	5	5	
			6.0	—	5	5	
Minimum removal time ($\overline{\text{CCLR}}$)	t_{rem}	—	2.0	—	75	95	ns
			4.5	—	15	19	
			6.0	—	13	16	
Minimum removal time ($\overline{\text{CLOAD}}$)	t_{rem}	—	2.0	—	75	95	ns
			4.5	—	15	19	
			6.0	—	13	16	
Clock frequency	f	—	2.0	—	4	3.5	MHz
			4.5	—	22	18	
			6.0	—	26	21	

AC Characteristics ($C_L = 15 \text{ pF}$, $V_{CC} = 5 \text{ V}$, $T_a = 25^\circ\text{C}$, input: $t_r = t_f = 6 \text{ ns}$)

Characteristics	Symbol	Test Condition	Min	Typ.	Max	Unit
Output transition time	t_{TLH} t_{THL}	—	—	6	12	ns
Propagation delay time ($\overline{\text{CCK}} - \overline{\text{RCO}}$)	t_{pLH} t_{pHL}	—	—	25	38	ns
Propagation delay time ($\overline{\text{RCK}} - \overline{\text{RCO}}$)	t_{pLH} t_{pHL}	—	—	39	60	ns
Propagation delay time ($\overline{\text{CCLR}} - \overline{\text{RCO}}$)	t_{pLH}	—	—	24	36	ns
Propagation delay time ($\overline{\text{CLOAD}} - \overline{\text{RCO}}$)	t_{pLH} t_{pHL}	—	—	35	53	ns
Maximum clock frequency	f_{max}	—	25	35	—	MHz

AC Characteristics ($C_L = 50 \text{ pF}$, input: $t_r = t_f = 6 \text{ ns}$)

Characteristics	Symbol	Test Condition	$T_a = 25^\circ\text{C}$			$T_a = -40 \text{ to } 85^\circ\text{C}$		Unit	
			V_{CC} (V)	Min	Typ.	Max	Min		Max
Output transition time	t_{TLH} t_{THL}	—	2.0	—	30	75	—	95	ns
			4.5	—	8	15	—	19	
			6.0	—	7	13	—	16	
Propagation delay time ($\overline{\text{CCK}} - \overline{\text{RCO}}$)	t_{pLH} t_{pHL}	—	2.0	—	94	220	—	275	ns
			4.5	—	29	44	—	55	
			6.0	—	24	37	—	47	
Propagation delay time ($\overline{\text{RCK}} - \overline{\text{RCO}}$)	t_{pLH} t_{pHL}	—	2.0	—	160	340	—	425	ns
			4.5	—	45	68	—	85	
			6.0	—	34	58	—	73	
Propagation delay time ($\overline{\text{CCLR}} - \overline{\text{RCO}}$)	t_{pLH}	—	2.0	—	89	215	—	270	ns
			4.5	—	28	43	—	54	
			6.0	—	22	37	—	46	
Propagation delay time ($\overline{\text{CLOAD}} - \overline{\text{RCO}}$)	t_{pLH} t_{pHL}	—	2.0	—	140	300	—	375	ns
			4.5	—	40	60	—	75	
			6.0	—	30	51	—	64	
Maximum clock frequency	f_{max}	—	2.0	4	20	—	3.5	—	MHz
			4.5	22	33	—	18	—	
			6.0	26	49	—	21	—	
Input capacitance	C_{IN}	—	—	5	10	—	10	pF	
Power dissipation capacitance (Note)	C_{PD}	—	—	31	—	—	—	pF	

Note: C_{PD} is defined as the value of the internal equivalent capacitance which is calculated from the operating current consumption without load.

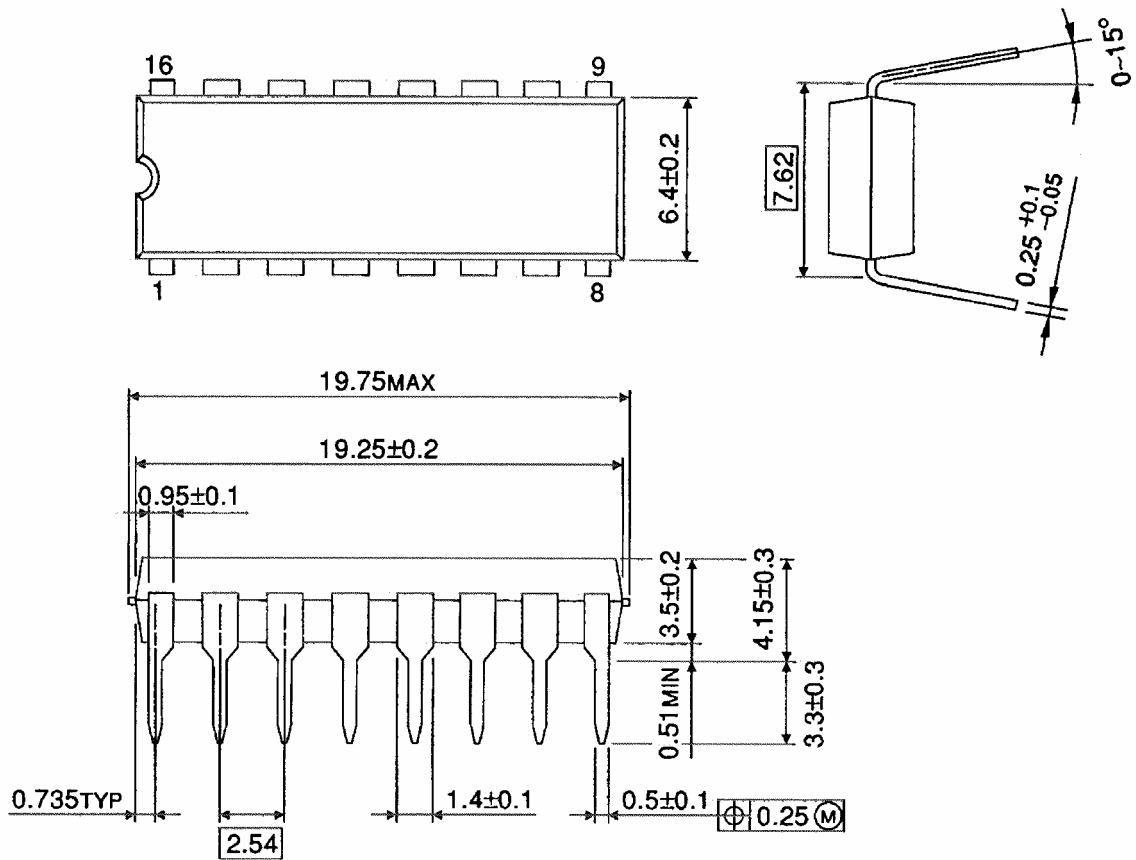
Average operating current can be obtained by the equation:

$$I_{\text{CC}}(\text{opr}) = C_{\text{PD}} \cdot V_{\text{CC}} \cdot f_{\text{IN}} + I_{\text{CC}}$$

Package Dimensions

DIP16-P-300-2.54A

Unit : mm

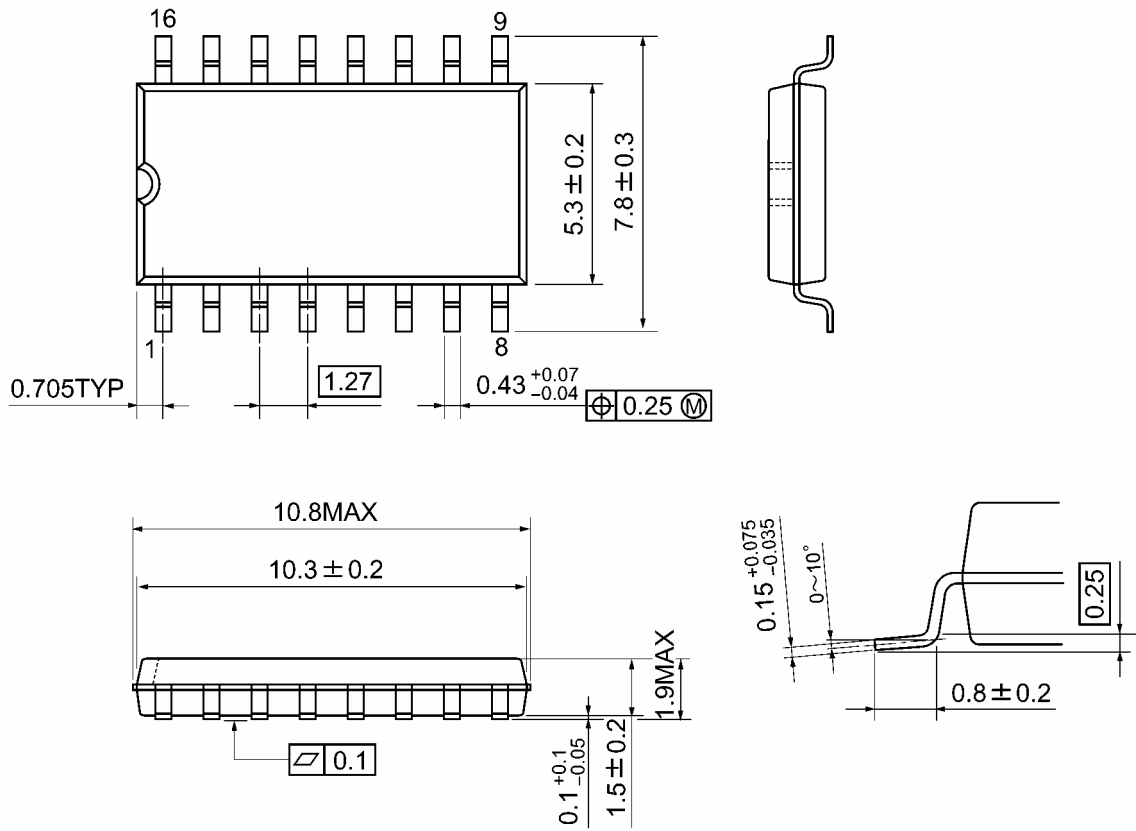


Weight: 1.00 g (typ.)

Package Dimensions

SOP16-P-300-1.27A

Unit: mm

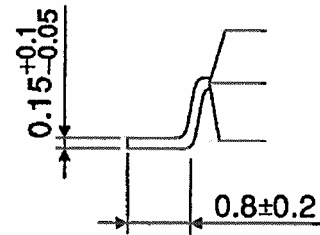
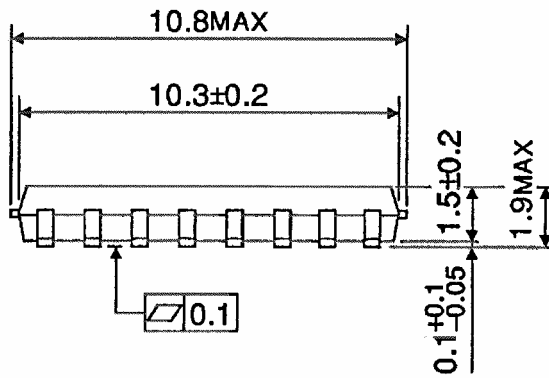
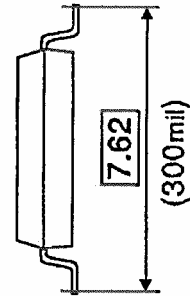
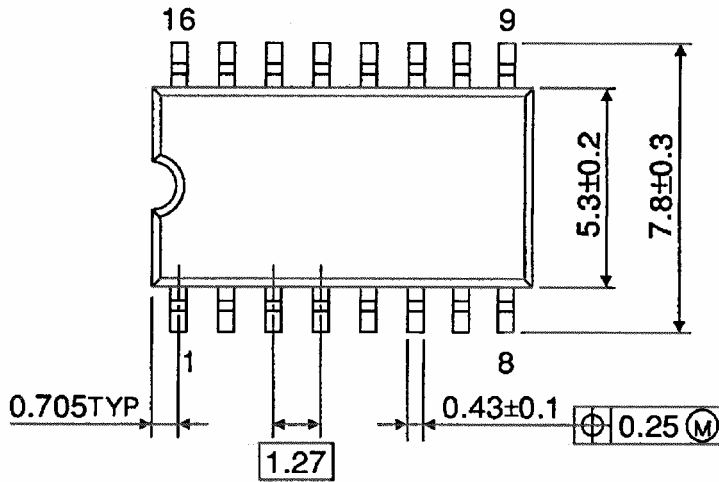


Weight: 0.18 g (typ.)

Package Dimensions

SOP16-P-300-1.27

Unit : mm



Weight: 0.18 g (typ.)

Note: Lead (Pb)-Free Packages**DIP16-P-300-2.54A SOP16-P-300-1.27A****RESTRICTIONS ON PRODUCT USE**

20070701-EN

- The information contained herein is subject to change without notice.
- TOSHIBA is continually working to improve the quality and reliability of its products. Nevertheless, semiconductor devices in general can malfunction or fail due to their inherent electrical sensitivity and vulnerability to physical stress. It is the responsibility of the buyer, when utilizing TOSHIBA products, to comply with the standards of safety in making a safe design for the entire system, and to avoid situations in which a malfunction or failure of such TOSHIBA products could cause loss of human life, bodily injury or damage to property.
In developing your designs, please ensure that TOSHIBA products are used within specified operating ranges as set forth in the most recent TOSHIBA products specifications. Also, please keep in mind the precautions and conditions set forth in the "Handling Guide for Semiconductor Devices," or "TOSHIBA Semiconductor Reliability Handbook" etc.
- The TOSHIBA products listed in this document are intended for usage in general electronics applications (computer, personal equipment, office equipment, measuring equipment, industrial robotics, domestic appliances, etc.). These TOSHIBA products are neither intended nor warranted for usage in equipment that requires extraordinarily high quality and/or reliability or a malfunction or failure of which may cause loss of human life or bodily injury ("Unintended Usage"). Unintended Usage include atomic energy control instruments, airplane or spaceship instruments, transportation instruments, traffic signal instruments, combustion control instruments, medical instruments, all types of safety devices, etc.. Unintended Usage of TOSHIBA products listed in this document shall be made at the customer's own risk.
- The products described in this document shall not be used or embedded to any downstream products of which manufacture, use and/or sale are prohibited under any applicable laws and regulations.
- The information contained herein is presented only as a guide for the applications of our products. No responsibility is assumed by TOSHIBA for any infringements of patents or other rights of the third parties which may result from its use. No license is granted by implication or otherwise under any patents or other rights of TOSHIBA or the third parties.
- Please contact your sales representative for product-by-product details in this document regarding RoHS compatibility. Please use these products in this document in compliance with all applicable laws and regulations that regulate the inclusion or use of controlled substances. Toshiba assumes no liability for damage or losses occurring as a result of noncompliance with applicable laws and regulations.